



**VETRO**  
TOOLING LTD

# VT 262E

10 SPINDLE STRAIGHT LINE EDGER



## NEED HELP? CONTACT THE TEAM



YOUR ACCOUNT MANAGER: ADAM LITHAUER



OFFICE CONTACT NUMBER: 01268 766 807



DIRECT CONTACT NUMBER: 07702 517 939

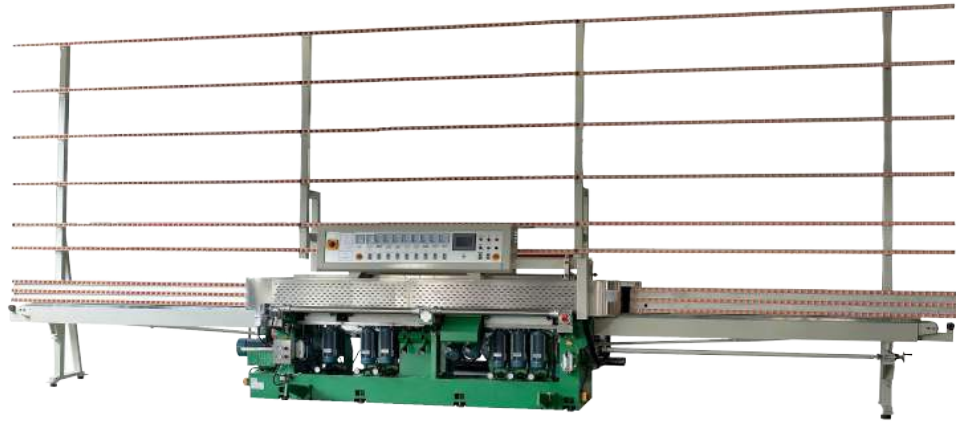


OR EMAIL: [adam@vetrotooling.com](mailto:adam@vetrotooling.com)

CALL US ON **01268 766807**

or visit our website [www.vetrotooling.com](http://www.vetrotooling.com)  
email us [sales@vetrotooling.com](mailto:sales@vetrotooling.com)

# EVERYTHING YOU SHOULD KNOW

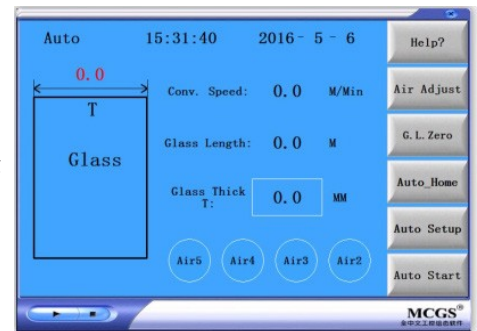


The VT262E 10 Spindle Straight line edging machine is specifically designed to process large heavy glass sheets because of its strong structure of ball bearing system and high precision ABB motors.

The main features of the machine include precise glass removal, high working speed and excellent polish. The machine has a weight of 5000kg which enables a very stable and consistent working ability with minimal vibration on glass from 3-25mm.

## CONTROL SYSTEM

The VT262E has a easy to operate touch screen Mitsubishi PLC control system which can be used in both manual and automatic modes, the main working parameters are set and displayed through an operator interface.



## WATER SYSTEM

The water is circulated through the machine via a stainless steel water tank, a stainless steel drainage pipe is installed on the back of the machine to drain the water from the wheels area back to the tank. A flexi-loc type system directing the coolant to the wheels means changing and maintenance of these are quick and simple.



# CONVEYOR

The VT262E conveyor adopts a chain-less rolling transmitting system which consists of three bearings rolling along high precision tempered steel guides. This results in the movement of glass being ultra stable.

The bearings for both the front and back conveyor are lubricated automatically by the oil pump, the design of this system means that both top and bottom bearings are oiled evenly. The machine has a Glass thickness protection system, In case a wrong thickness piece is attempted the machine will stop automatically to protect the bearings from crushing. The movement of the front conveyor is motorized and can be adjusted manually or in automatic mode. The thickness is displayed on the touch screen. The back conveyor has a cleaning brush which maintains a clean surface and guarantees a good working result.



# FRAME

The VT262E supports the glass with an aluminum extrusion bar with heavy duty plastic rollers, height extensions can be added for companies that produce large sheets. The conveyor cover is made of stainless steel.

# IN-FEED AND OUT-FEED BELTS

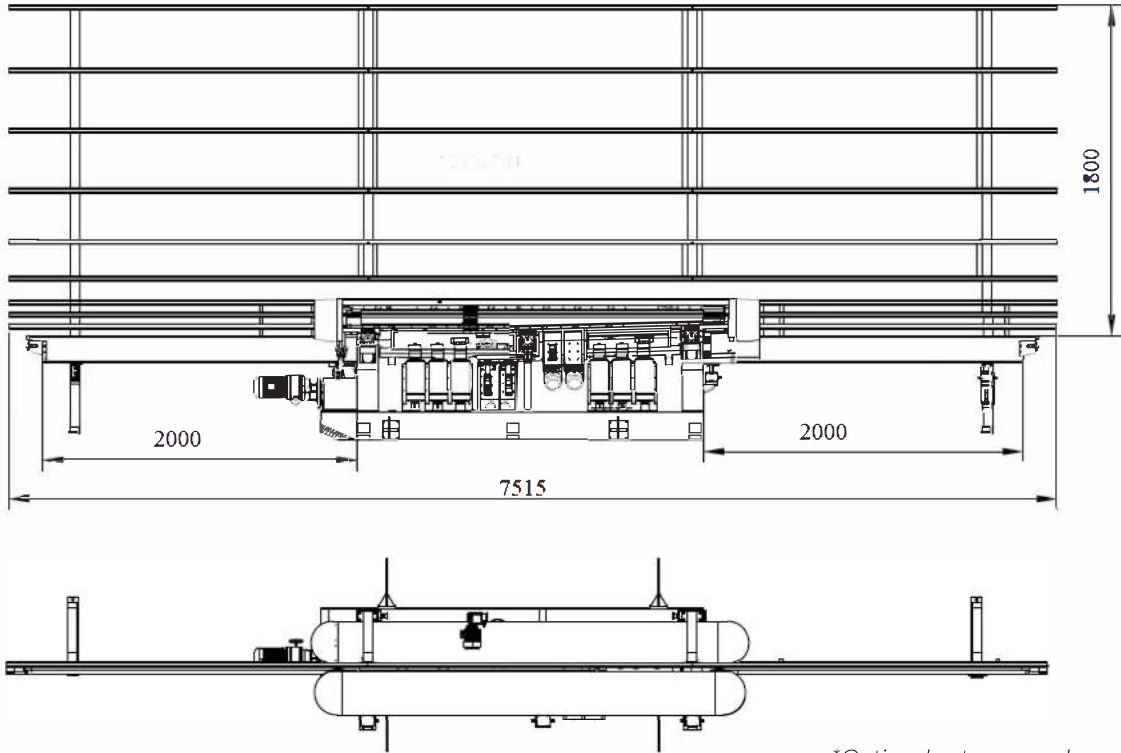
The in-feed and out-feed is an easy changeable timing belt, the height of which can be set for different glass removal. This has been designed with time saving in mind with belt change taking minutes.

# TECHNICAL SPECIFICATION

Spindles	10 motors
Working Speed	0.6m-8m/min
Grinding Depth	3mm
Max. arris width	2.5mm
Glass Thickness	3mm-25mm
Min. Glass Size	30mm x 30mm
Total Power	19.85kW
Overall Dimension	7.5m x 1.2m x 2.7m
Machine Weight	5000kg
Max Glass Weight	200kg

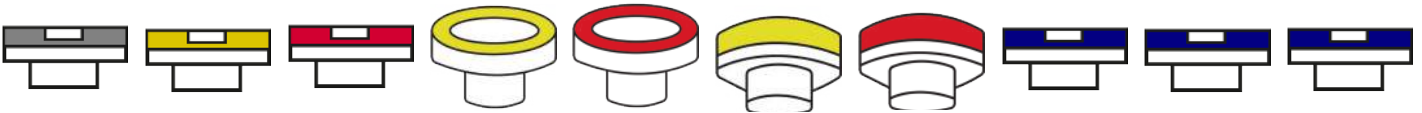
*\*Options may affect basic machine's configuration and characteristics*

# FLOOR PLAN



*\*Optional extras may change floor plan.*

# CONFIGURATION



*\*Working direction.*

Wheel Position	Wheel Type	Internal Ø	External Ø	Control System
Pos 1	Diamond Wheel	22mm	150mm	Mechanical
Pos 2	Diamond Wheel	22mm	150mm	Mechanical
Pos 3	Diamond Wheel	22mm	150mm	Mechanical
Pos 4	Resin Wheel	22mm	150mm	Mechanical
Pos 5	10S40 Polish Wheel	70mm	150mm	Mechanical
Pos 6	Resin Wheel	22mm	150mm	Mechanical
Pos 7	10S40 Polish Wheel	70mm	150mm	Mechanical
Pos 8	Resin Wheel	22mm	150mm	Mechanical
Pos 9	10S40 Polish Wheel	70mm	150mm	Mechanical
Pos 10	Cerium Impregnated Wheel	70mm	150mm	Mechanical



# ENGINEERING SERVICE & REPAIRS

## HOW WE DO SUPPORT

Vetro Tooling offers a warranty and support package for all machines sold that far exceeds anyone else's that is currently available. We have a name to uphold of quality and customer satisfaction and we don't plan on losing that. We know what machine down-time can cost a running factory and brake down's are a top priority for us to get you back up and running.

As well as warranty packages on new machine sales our engineers are always on call to carry out services or repairs to CNC machines, Stone or Glass. With years of experience in machines, software and tooling we have every aspect covered.

After speaking to our customers we realised that the time for the engineer at their factory is more than valuable but paying hidden costs is not making anyone happy. We set out to give the customer a black and white charge so there are no nasty

surprises when the invoice lands on your desk.

As we carry an extensive stock of tooling and spare parts this also helps on lead times to have your CNC machines back up and running.

If you are looking at any service or repair work being carried out, just give us a call and we will be more than happy to run through the problems you are facing and get you back up to speed in no time!

